

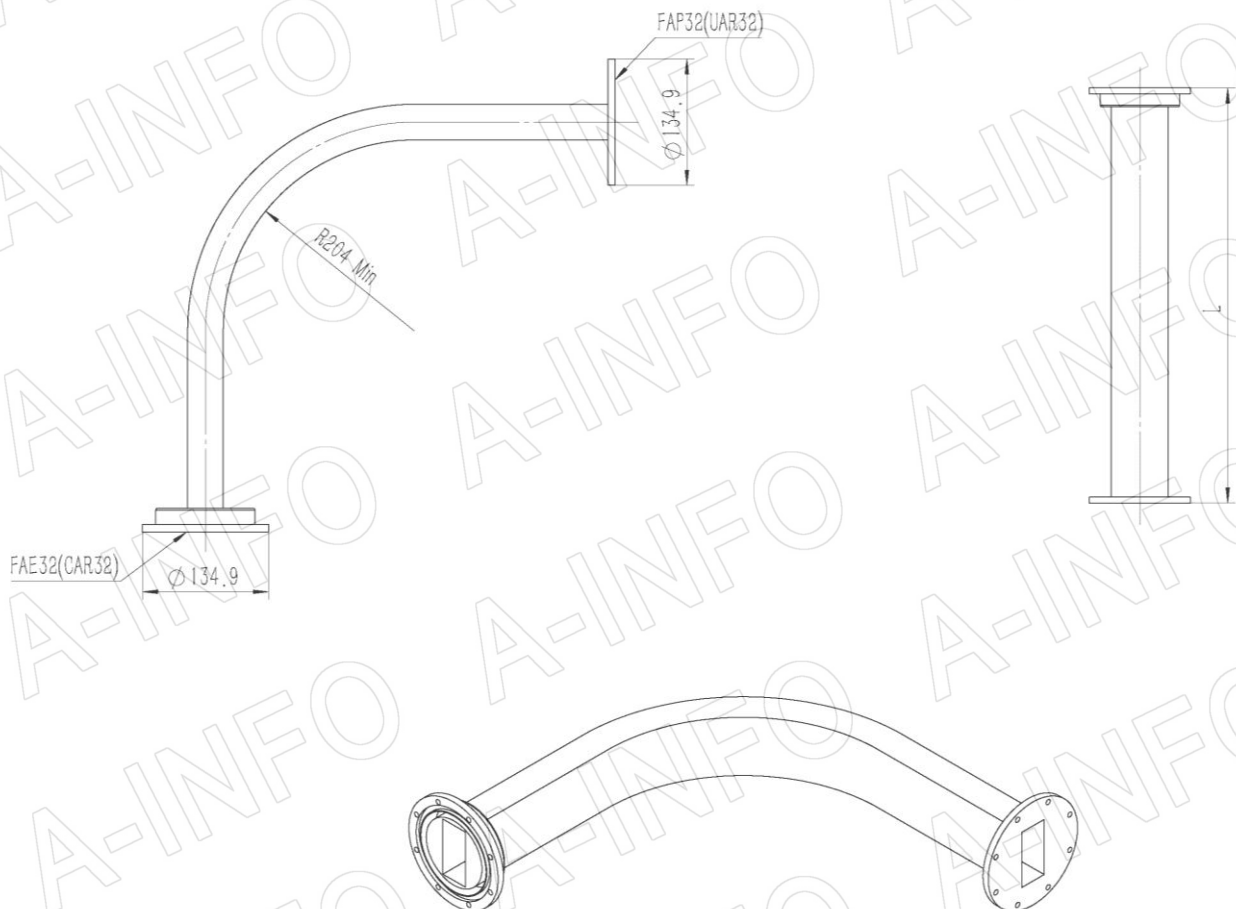
For reference only. See data sheet for the detailed specifications.

## Technical Specification

EIA WR	WR284
Frequency Range(GHz)	2.60 – 3.95
Attenuation(dB/PC)	0.3
VSWR	1.15:1 Max.
Average Power(KW)	10
Max. Air Pressure(Mpa)	0.2
Min. E-Bend Radius(mm)	204
Min. H-Bend Radius(mm)	408
Flange	FAP32(UAR32) FAE32(CAR32)
Jacket	Rubber
Operating Temp.( °C)	-55 ~+85
Material	Cu
Length(mm)	860
Net Weight(Kg)	3.71 Around



## Outline Drawing (Size: mm)



**AINFO Inc.**

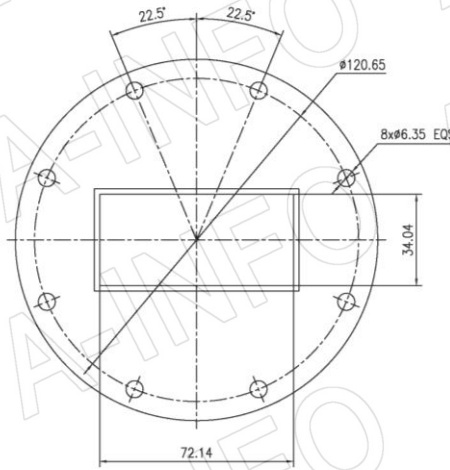
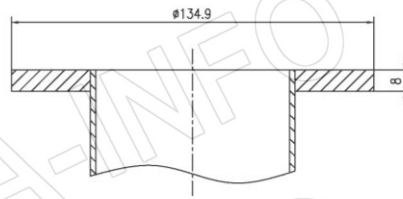
China(Beijing): Tel: (+86) 10-6266-7326,  
China(Chengdu): Tel: (+86) 28-8519-2786,  
USA: Tel: (+1) 949-639-9688,

Page 1 of 3

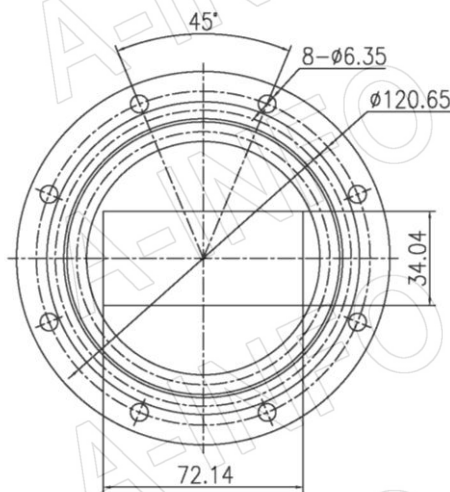
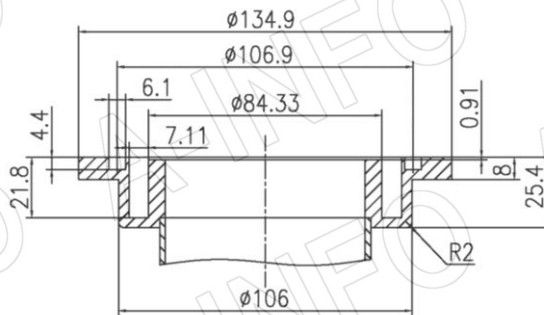
(+86) 10-6266-7327 Fax: (+86) 10-6266-7379  
(+86) 28-8519-3044 Fax: (+86) 28-8519-3068  
(+1) 949-639-9608 Fax: (+1) 949-639-9670

Website: [www.ainfoinc.com](http://www.ainfoinc.com)  
Email: [sales@ainfoinc.com](mailto:sales@ainfoinc.com)

## Flange Drawing (Size: mm)



FAP32



FAE32

**AINFO Inc.**

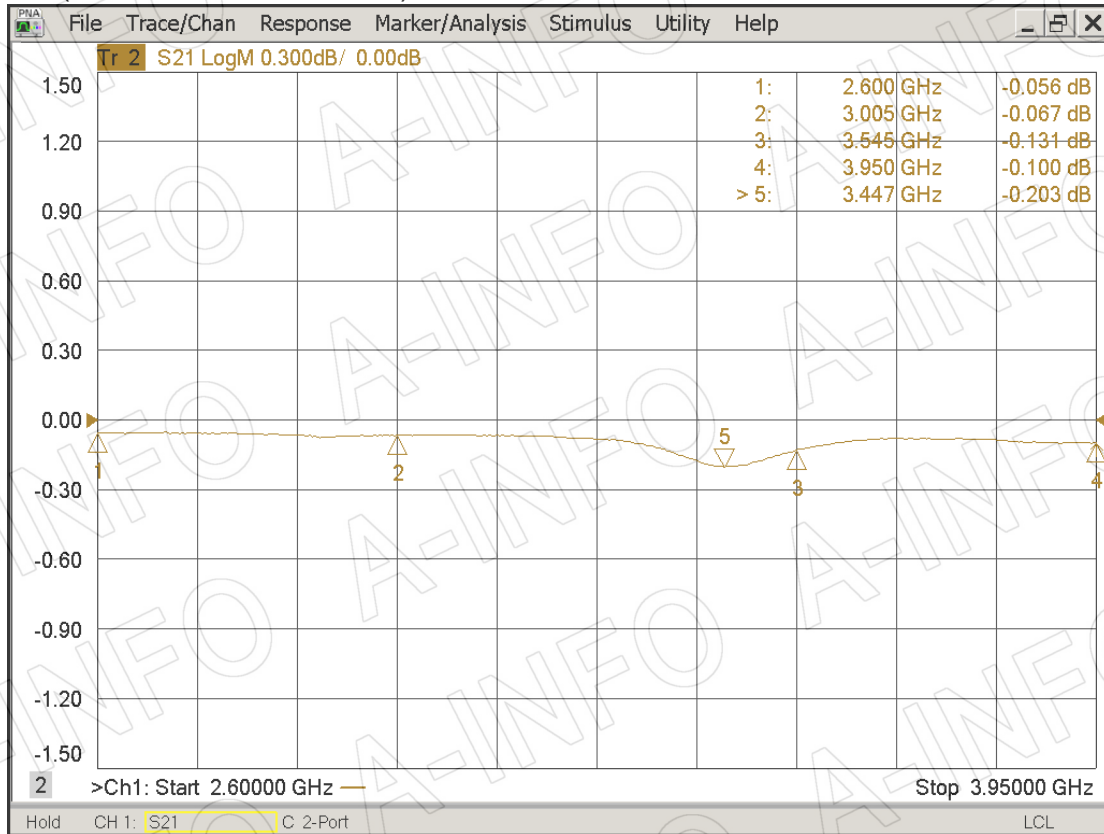
China(Beijing): Tel: (+86) 10-6266-7326,  
China(Chengdu): Tel: (+86) 28-8519-2786,  
USA: Tel: (+1) 949-639-9688,

(+86) 10-6266-7327 Fax: (+86) 10-6266-7379  
(+86) 28-8519-3044 Fax: (+86) 28-8519-3068  
(+1) 949-639-9608 Fax: (+1) 949-639-9670

Website: [www.ainfoinc.com](http://www.ainfoinc.com)  
Email: [sales@ainfoinc.com](mailto:sales@ainfoinc.com)

## Test Results

Attenuation (I.L.: 0.2030dB/PC Max.)



## VSWR

